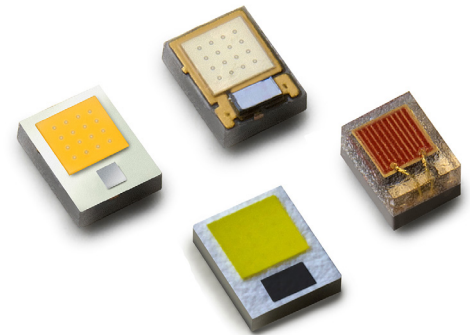




LUXEON Z Color Line

High power color LEDs in a micro footprint package for ultimate design flexibility

The LUXEON Z Color Line comprises a broad portfolio of LEDs that enable never before seen lumen density, flexibility and freedom of design. Available in the full spectrum of colors from 440nm to 670nm, including Lime, enabling highly efficient color mixing with a convenient above-blackbody color point. The LUXEON Z Color Line is ideal for entertainment and stage lighting, indoor and outdoor architectural lighting, emergency vehicle lighting, remote phosphor applications and a wide spectrum of specialty lighting applications.



FEATURES AND BENEFITS

- Broad selection spanning 440–670nm, including a unique Lime color
- 2.2mm² footprint enables unique arrangements in space constrained applications
- 4-up RGBW pixel in 9.5mm² — four colors in less area than one regular high power color emitter
- Undomed design allows better optical management
- Enables customizable light sources: linear, rectangular, circular

PRIMARY APPLICATIONS

- Architectural
- Lamps
 - Remote Phosphor
- Specialty Lighting

Table of Contents

| | |
|---|-----------|
| General Product Information | 2 |
| Product Test Conditions | 2 |
| Part Number Nomenclature | 2 |
| Lumen Maintenance | 2 |
| Environmental Compliance | 2 |
| Performance Characteristics | 3 |
| Product Selection Guide | 3 |
| Optical Characteristics | 4 |
| Electrical and Thermal Characteristics | 4 |
| Absolute Maximum Ratings | 5 |
| Characteristics Curves | 6 |
| Spectral Power Distribution Characteristics | 6 |
| Light Output Characteristics | 7 |
| Forward Current Characteristics | 9 |
| Radiation Patterns | 10 |
| Product Bin and Labeling Definitions | 13 |
| Decoding Product Bin Labeling | 13 |
| Luminous Flux Bins | 14 |
| Radiometric Power Bins | 15 |
| Dominant and Peak Wavelength Bins | 16 |
| Forward Voltage Bins | 18 |
| Mechanical Dimensions | 18 |
| Reflow Soldering Guidelines | 20 |
| JEDEC Moisture Sensitivity | 20 |
| Solder Pad Design | 21 |
| Packaging Information | 21 |
| Pocket Tape Dimensions | 21 |
| Reel Dimensions | 23 |

General Product Information

Product Test Conditions

LUXEON Z Colors LEDs are tested and binned with a DC drive current of 500mA at a junction temperature, T_j , of 25°C or 85°C, depending on the product.

Part Number Nomenclature

Part numbers for LUXEON Z Colors follow the convention below:

L X Z 1 – P **A** 0 **B**

Where:

- A** – designates color (A=Deep Red, D=Red, H=Red-Orange, L=Amber and PC Amber, X=Lime, M=Green, E=Cyan, B=Blue and R=Royal Blue)
- B** – designates color version (example: 1, 2, 3)

Therefore, the following part number is used for a version 2 Red LUXEON Z:

L X Z 1 – P **D** 0 **2**

Lumen Maintenance

Please contact your local Sales Representative or Lumileds Technical Solutions Manager for more information about the long-term performance of this product.

Environmental Compliance

Lumileds LLC is committed to providing environmentally friendly products to the solid-state lighting market. LUXEON Z Colors is compliant to the European Union directives on the restriction of hazardous substances in electronic equipment, namely the RoHS Directive 2011/65/EU and REACH Regulation (EC) 1907/2006. Lumileds LLC will not intentionally add the following restricted materials to its products: lead, mercury, cadmium, hexavalent chromium, polybrominated biphenyls (PBB) or polybrominated diphenyl ethers (PBDE).

Performance Characteristics

Product Selection Guide

Table 1a. Product performance of LUXEON Z Colors tested at 500mA, 25°C.

| COLOR | DOMINANT ^[1] or PEAK WAVELENGTH ^[2] (nm) | | LUMINOUS FLUX ^[1] (lm) or RADIOMETRIC POWER ^[3] (mW) | | PART NUMBER |
|------------|---|---------|---|---------|----------------|
| | MINIMUM | MAXIMUM | MINIMUM | TYPICAL | |
| Deep Red | 650 | 670 | 250 | 275 | LXZ1-PA01 |
| | 650 | 670 | 300 | 325 | LXZ1-PA01 |
| | 650 | 670 | 350 | 375 | LXZ1-PA01 |
| Red | 620 | 645 | 40 | 44 | LXZ1-PD01 |
| | 620 | 645 | 48 | 52 | LXZ1-PD01 |
| | 620 | 645 | 56 | 60 | LXZ1-PD01 |
| Red-Orange | 610 | 620 | 56 | 60 | LXZ1-PH01 |
| | 610 | 620 | 64 | 68 | LXZ1-PH01 |
| | 610 | 620 | 72 | 76 | LXZ1-PH01 |
| Amber | 585 | 590 | 48 | 52 | LXZ1-PL01 |
| | 585 | 595 | 56 | 60 | LXZ1-PL01 |
| | 585 | 595 | 64 | 68 | LXZ1-PL01 |
| Green | 520 | 540 | 80 | 84 | LXZ1-PM01 |
| | 520 | 540 | 88 | 92 | LXZ1-PM01 |
| | 520 | 540 | 96 | 100 | LXZ1-PM01 |
| | 520 | 540 | 104 | 108 | LXZ1-PM01 |
| Cyan | 490 | 510 | 48 | 52 | LXZ1-PE01 |
| | 490 | 510 | 56 | 60 | LXZ1-PE01 |
| | 490 | 510 | 64 | 68 | LXZ1-PE01 |
| Blue | 460 | 480 | 24 | 28 | LXZ1-PB01 |
| | 460 | 480 | 32 | 36 | LXZ1-PB01 |
| | 460 | 480 | 40 | 44 | LXZ1-PB01 |
| Royal Blue | 440 | 460 | 500 | 525 | LXZ1-PR01 |
| | 440 | 460 | 550 | 575 | LXZ1-PR01 |
| | 440 | 460 | 600 | 625 | LXZ1-PR01 |

Table 1b. Product performance of LUXEON Z Colors tested at 500mA, 85°C.

| COLOR | DOMINANT WAVELENGTH ^[1] (nm) | | LUMINOUS FLUX ^[1] (lm) | | PART NUMBER |
|------------|---|---------|-----------------------------------|---------|----------------|
| | MINIMUM | MAXIMUM | MINIMUM | TYPICAL | |
| Red | 624 | 634 | 24 | 28 | LXZ1-PD02 |
| | 624 | 634 | 32 | 36 | LXZ1-PD02 |
| | 624 | 634 | 40 | 44 | LXZ1-PD02 |
| | 624 | 634 | 48 | 52 | LXZ1-PD02 |
| Red-Orange | 614 | 624 | 40 | 44 | LXZ1-PH02 |
| | 614 | 624 | 48 | 52 | LXZ1-PH02 |
| | 614 | 624 | 56 | 60 | LXZ1-PH02 |
| Amber | 594 | 604 | 16 | 20 | LXZ1-PL03 |
| | 594 | 604 | 24 | 28 | LXZ1-PL03 |
| | 594 | 604 | 32 | 36 | LXZ1-PL03 |
| PC Amber | 588 | 592 | 72 | 76 | LXZ1-PL02 |
| | 588 | 592 | 80 | 84 | LXZ1-PL02 |
| | 588 | 592 | 88 | 92 | LXZ1-PL02 |
| | 588 | 592 | 96 | 100 | LXZ1-PL02 |
| Lime | 566 | 569 | 144 | 149 | LXZ1-PX01 |
| | 566 | 569 | 154 | 159 | LXZ1-PX01 |
| | 566 | 569 | 164 | 169 | LXZ1-PX01 |
| | 566 | 569 | 174 | 179 | LXZ1-PX01 |
| | 566 | 569 | 184 | 189 | LXZ1-PX01 |
| | 566 | 569 | 194 | 199 | LXZ1-PX01 |

Notes for Tables 1a and 1b:

1. Lumileds maintains a tolerance of $\pm 0.5\text{nm}$ for dominant wavelength and $\pm 6.5\%$ on luminous flux measurements.
2. Deep Red and Royal Blue are binned by peak wavelength. All other colors are binned by dominant wavelength.
3. Deep Red and Royal Blue are binned by radiometric power. All other colors are binned by luminous flux.

Optical Characteristics

Table 2. Optical characteristics for LUXEON Z Colors at 500mA at junction temperature.

| COLOR | PART NUMBER | TYPICAL SPECTRAL HALF-WIDTH ^[1] (nm) | TYPICAL TEMPERATURE COEFFICIENT OF DOMINANT OR PEAK WAVELENGTH (nm/°C) | TYPICAL TOTAL INCLUDED ANGLE ^[2] | TYPICAL VIEWING ANGLE ^[3] |
|------------|----------------------------|---|--|---|--------------------------------------|
| Deep Red | LXZ1-PA01 ^[4] | 20 | 0.06 | 150° | 145° |
| Red | LXZ1-PD01 ^[4] | 20 | 0.06 | 150° | 145° |
| | LXZ1-PD02 ^[4,6] | 20 | 0.06 | 150° | 145° |
| Red-Orange | LXZ1-PH01 ^[4] | 20 | 0.06 | 150° | 145° |
| | LXZ1-PH02 ^[4,6] | 20 | 0.06 | 150° | 145° |
| Amber | LXZ1-PL01 ^[4] | 20 | 0.10 | 150° | 145° |
| | LXZ1-PL03 ^[4,6] | 20 | 0.10 | 150° | 145° |
| PC Amber | LXZ1-PL02 ^[5] | 80 | 0.01 | 140° | 125° |
| Lime | LXZ1-PX01 ^[5] | 100 | 0.01 | 140° | 125° |
| Green | LXZ1-PM01 ^[5] | 30 | 0.04 | 140° | 125° |
| Cyan | LXZ1-PE01 ^[5] | 30 | 0.03 | 140° | 125° |
| Blue | LXZ1-PB01 ^[5] | 20 | 0.03 | 140° | 125° |
| Royal Blue | LXZ1-PR01 ^[5] | 20 | 0.03 | 140° | 125° |

Notes for Table 2:

1. Spectral width at ½ of the peak intensity.
2. Total angle at which 90% of total luminous flux is captured.
3. Viewing angle is the off axis angle from the LED centerline where the luminous intensity is ½ of the peak value.
4. All Deep Red, Red, Red-orange and Amber products are built with Aluminum Indium Gallium Phosphide (AlInGaP).
5. All PC Amber, Lime, Green, Cyan, Blue and Royal Blue products are built with Indium Gallium Nitride (InGaN).
6. Wavelength ranges for hot tested Red, Red-Orange and Amber have been defined to align with typical changes in spectral output at increased temperature, which are inherent to AlInGaP LEDs. At T_j=25°C these hot-tested parts will have the same typical spectral outputs as their cold-tested counterparts.

Electrical and Thermal Characteristics

Table 3. Electrical and thermal characteristics for LUXEON Z Colors at 500mA at junction temperature.

| COLOR | PART NUMBER | FORWARD VOLTAGE ^[1] (V _f) | | | TYPICAL TEMPERATURE COEFFICIENT OF FORWARD VOLTAGE ^[2] (mV/°C) | TYPICAL THERMAL RESISTANCE—JUNCTION TO SOLDER PAD (°C/W) |
|------------|-------------|--|---------|---------|---|--|
| | | MINIMUM | TYPICAL | MAXIMUM | | |
| Deep Red | LXZ1-PA01 | 1.75 | 2.20 | 2.75 | -2 to -4 | 8 |
| Red | LXZ1-PD01 | 1.75 | 2.20 | 2.75 | -2 to -4 | 8 |
| | LXZ1-PD02 | 1.75 | 2.20 | 2.75 | -2 to -4 | 8 |
| Red-Orange | LXZ1-PH01 | 1.75 | 2.20 | 2.75 | -2 to -4 | 8 |
| | LXZ1-PH02 | 1.75 | 2.20 | 2.75 | -2 to -4 | 8 |
| Amber | LXZ1-PL01 | 1.75 | 2.15 | 2.75 | -2 to -4 | 8 |
| | LXZ1-PL03 | 1.75 | 2.25 | 2.75 | -2 to -4 | 8 |
| PC Amber | LXZ1-PL02 | 2.50 | 2.85 | 3.50 | -2 to -4 | 5 |
| Lime | LXZ1-PX01 | 2.50 | 2.85 | 3.50 | -2 to -4 | 5 |
| Green | LXZ1-PM01 | 2.50 | 2.85 | 3.50 | -2 to -4 | 5 |
| Cyan | LXZ1-PE01 | 2.50 | 2.85 | 3.50 | -2 to -4 | 5 |
| Blue | LXZ1-PB01 | 2.50 | 2.85 | 3.50 | -2 to -4 | 5 |
| Royal Blue | LXZ1-PR01 | 2.50 | 2.85 | 3.50 | -2 to -4 | 5 |

Notes for Table 3:

1. Lumileds maintains a tolerance of ±0.06V on forward voltage measurements.
2. Measured between 25°C and 85°C.

Absolute Maximum Ratings

Table 4a. Absolute maximum ratings for LUXEON Z Colors tested at $T_j=25^\circ\text{C}$.

| PARAMETER | GREEN/CYAN/ BLUE/ROYAL BLUE | COLD-TESTED RED/DEEP-RED/ RED-ORANGE/AMBER |
|--|---|--|
| DC Forward Current ^[1,2] | 1000mA | 700mA |
| Peak Pulsed Forward Current ^[1,3] | 1000mA | 700mA |
| LED Junction Temperature ^[1] (DC & Pulse) | 150°C | 135°C |
| ESD Sensitivity (ANSI/ESDA/JEDEC JS-001-2012) | Class 3B | Class 3B |
| Operating Case Temperature ^[1] | -40°C to 135°C | -40°C to 120°C |
| LED Storage Temperature | -40°C to 135°C | -40°C to 135°C |
| Soldering Temperature | JEDEC 020c 260°C | JEDEC 020c 260°C |
| Allowable Reflow Cycles | 3 | 3 |
| Autoclave Conditions | -121°C at 2 ATM | 100% Relative Humidity for 96 hours Maximum |
| Reverse Voltage (V_{reverse}) | LUXEON LEDs are not designed to be driven in reverse bias | |

Notes for Table 4a:

1. Proper current derating must be observed to maintain junction temperature below the maximum.
2. Residual periodic variations due to power conversion from alternating current (AC) to direct current (DC), also called "ripple," with frequencies $\geq 100\text{Hz}$ and amplitude $\leq 15\%$ of the maximum allowable DC forward current are acceptable, assuming the average current throughout each cycle does not exceed the maximum allowable DC forward current at the corresponding maximum junction temperature.
3. Pulsed operation with a peak drive current equal to the stated peak pulsed forward current is acceptable if the pulse on-time is $\leq 5\text{ms}$ per cycle and the duty cycle is $\leq 50\%$.

Table 4b. Absolute maximum ratings for LUXEON Z Colors tested at $T_j=85^\circ\text{C}$.

| PARAMETER | HOT-TESTED RED/ RED-ORANGE/AMBER ^[4] | PC AMBER/LIME |
|--|---|------------------|
| DC Forward Current ^[1,2] | 1000/700mA | 700mA |
| Peak Pulsed Forward Current ^[1,3] | 1000/700mA | 700mA |
| LED Junction Temperature ^[1] (DC & Pulse) | 120°C/135°C | 135°C |
| ESD Sensitivity (ANSI/ESDA/JEDEC JS-001-2012) | Class 3B | Class 3B |
| Operating Case Temperature ^[1] | -40°C to 120°C | -40°C to 110°C |
| LED Storage Temperature | -40°C to 120°C | -40°C to 135°C |
| Soldering Temperature | JEDEC 020c 260°C | JEDEC 020c 260°C |
| Allowable Reflow Cycles | 3 | 3 |
| Autoclave Conditions | 100% Relative Humidity for 96 hours Maximum | |
| Reverse Voltage (V_{reverse}) | LUXEON LEDs are not designed to be driven in reverse bias | |

Notes for Table 4b:

1. Proper current derating must be observed to maintain junction temperature below the maximum.
2. Residual periodic variations due to power conversion from alternating current (AC) to direct current (DC), also called "ripple," with frequencies $\geq 100\text{Hz}$ and amplitude $\leq 15\%$ of the maximum allowable DC forward current are acceptable, assuming the average current throughout each cycle does not exceed the maximum allowable DC forward current at the corresponding maximum junction temperature.
3. Pulsed operation with a peak drive current equal to the stated peak pulsed forward current is acceptable if the pulse on-time is $\leq 5\text{ms}$ per cycle and the duty cycle is $\leq 50\%$.
4. Hot Tested LUXEON Z Red (LXZ1-PD02), Red-Orange (LXZ1-PH02) and Amber (LXZ1-PL03) products have two boundary points for maximum conditions: $I_f=1\text{A}$ and $T_j=120^\circ\text{C}$ or $I_f=700\text{mA}$ and $T_j=135^\circ\text{C}$.

Characteristics Curves

Spectral Power Distribution Characteristics

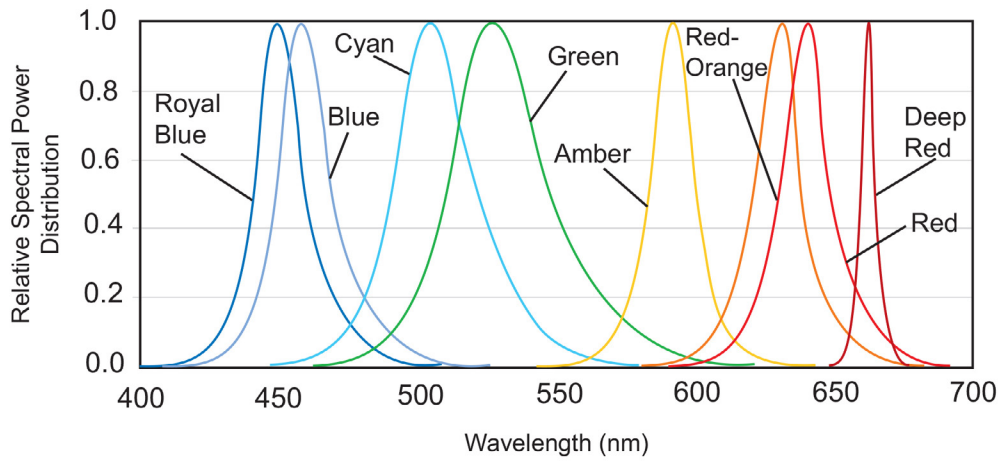


Figure 1a: Typical normalized power vs. wavelength for LUXEON Z Red, Red-Orange, Amber, Green, Cyan, Blue and Royal Blue, at 500mA, $T_j=25^\circ\text{C}$.

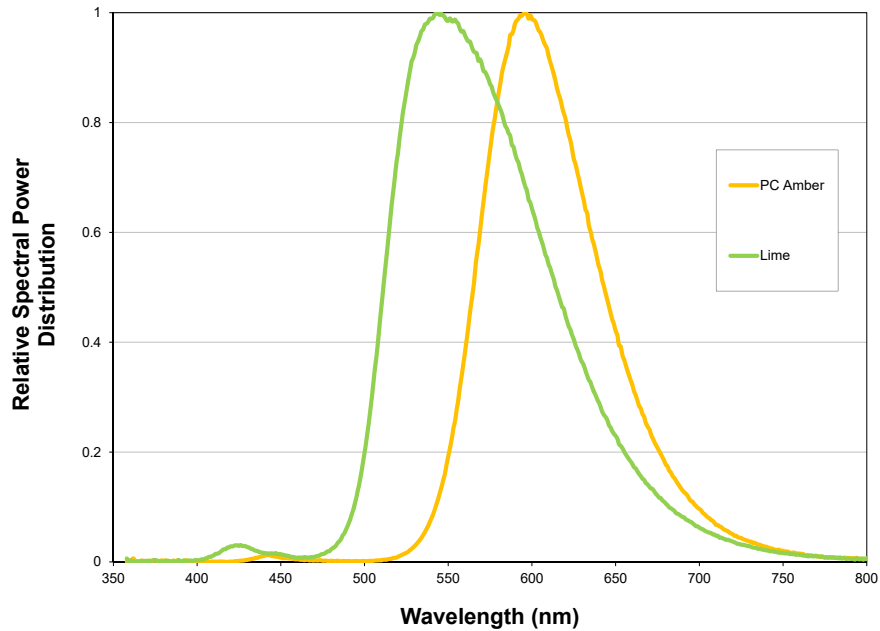


Figure 1b: Typical normalized power vs. wavelength for LUXEON Z PC Amber and Lime at 500mA, $T_j=85^\circ\text{C}$.

Light Output Characteristics

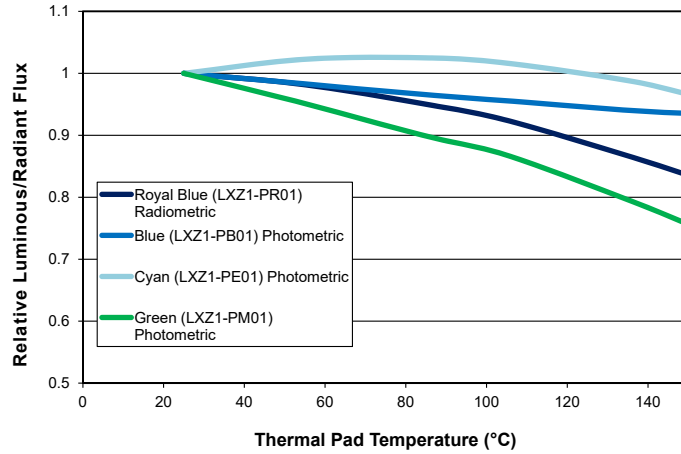


Figure 2a: Typical normalized light output vs. junction temperature for LXZ1-PR01, LXZ1-PB01, LXZ1-PE01 and LXZ1-PM01 at 500mA.

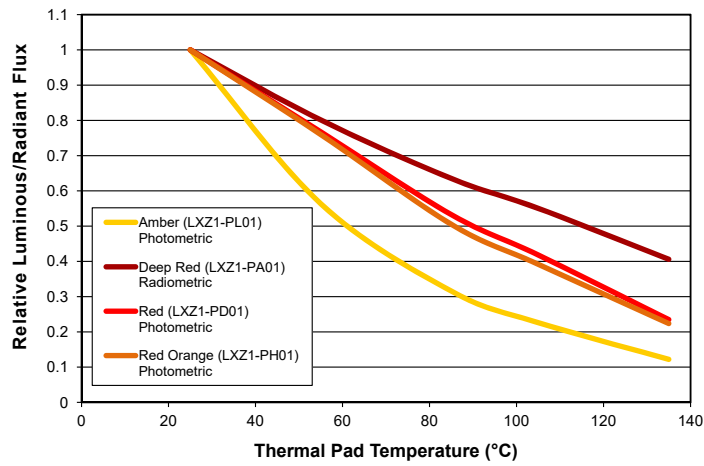


Figure 2b: Typical normalized light output vs. junction temperature for LXZ1-PL01, LXZ1-PA01, LXZ1-PD01 and LXZ1-PH01 at 500mA.

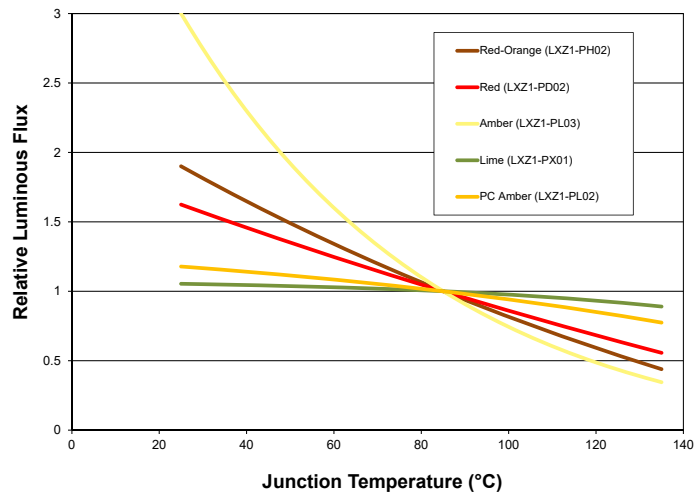


Figure 2c: Typical normalized light output vs. junction temperature for LXZ1-PX01, LXZ1-PL02, LXZ1-PD02, LXZ1-PH02 and LXZ1-PL03 at 500mA.

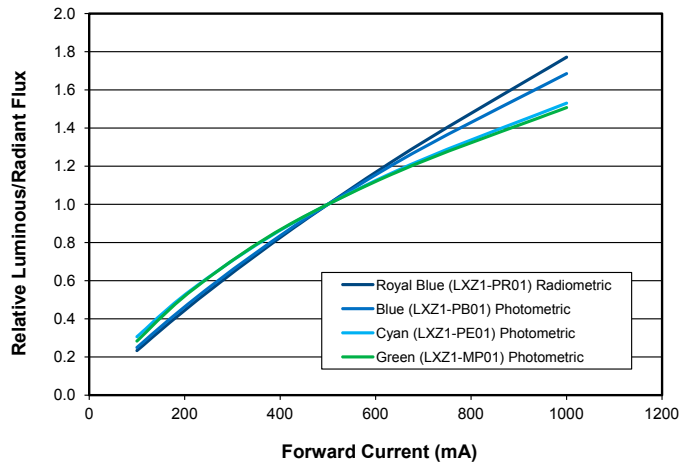


Figure 3a: Typical normalized light output vs. forward current for LXZ1-PR01, LXZ1-PB01, LXZ1-PE01 and LXZ1-PM01 at $T_j=25^\circ\text{C}$.

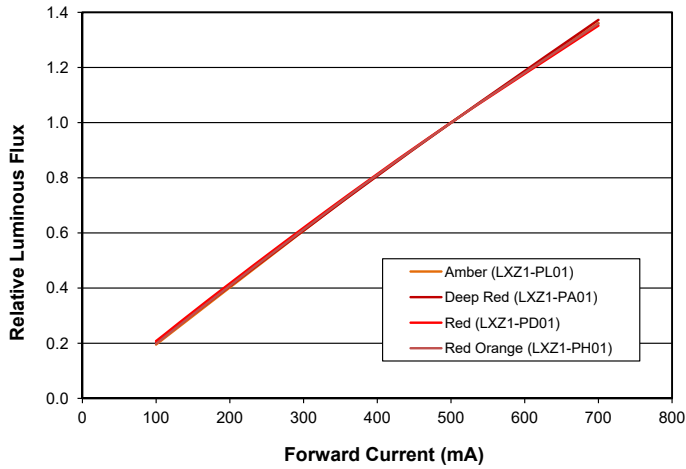


Figure 3b: Typical normalized light output vs. forward current for LXZ1-PL01, LXZ1-PA01, LXZ1-PD01 and LXZ1-PH01 at $T_j=25^\circ\text{C}$.

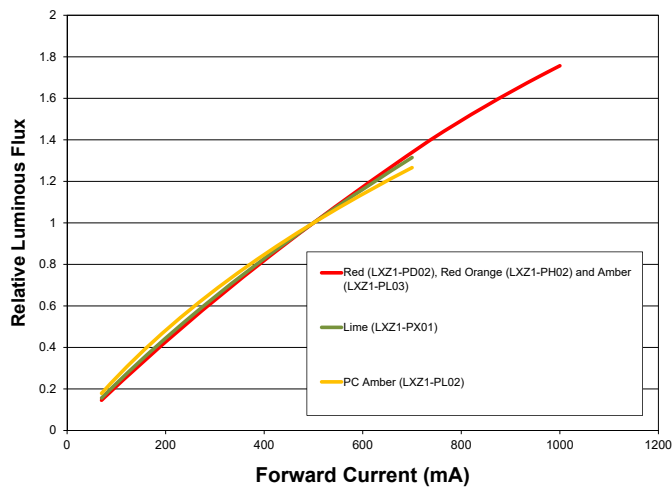


Figure 3c: Typical normalized light output vs. forward current for LXZ1-PX01, LXZ1-PL02, LXZ1-PD02, LXZ1-PH02, and LXZ1-PL03 at $T_j=85^\circ\text{C}$.

Forward Current Characteristics

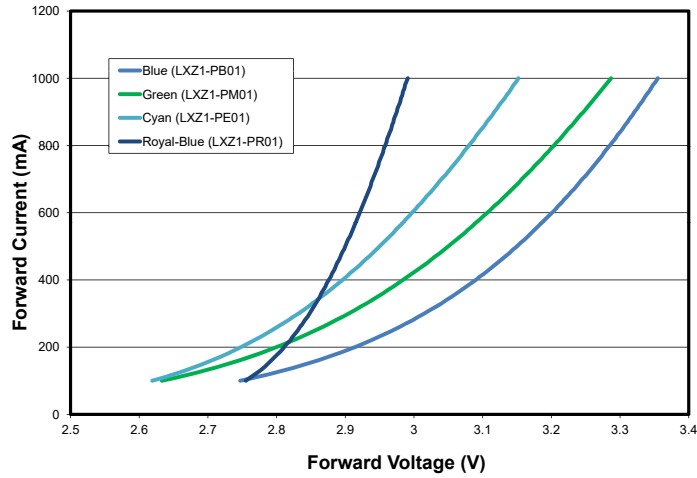


Figure 4a: Typical forward current vs. forward voltage for LXZ1-PR01, LXZ1-PB01, LXZ1-PE01 and LXZ1-PM01 at $T_j=25^\circ\text{C}$.

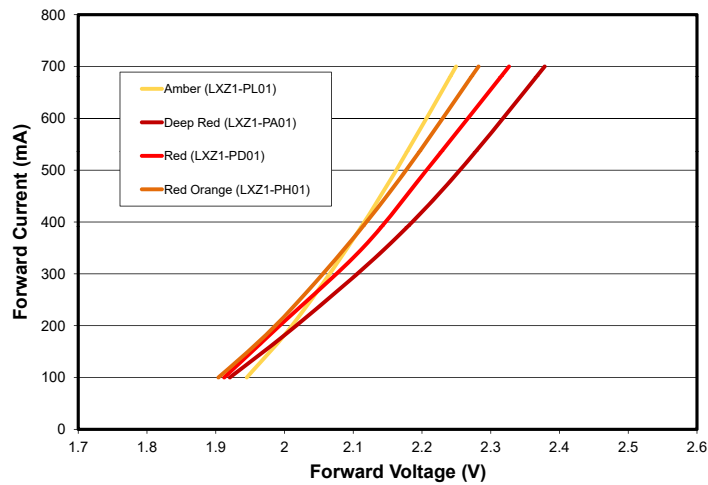


Figure 4b: Typical forward current vs. forward voltage for LXZ1-PL01, LXZ1-PA01, LXZ1-PD01 and LXZ1-PH01 at $T_j=25^\circ\text{C}$.

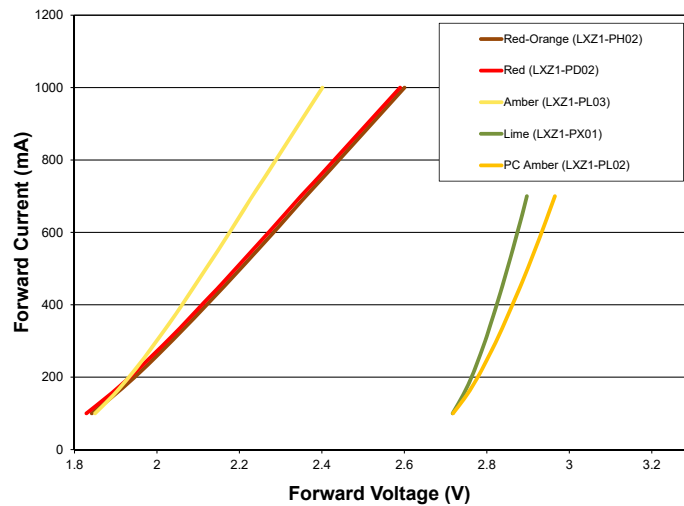


Figure 4c: Typical forward current vs. forward voltage for LXZ1-PX01, LXZ1-PL02, LXZ1-PD02, LXZ1-PH02, and LXZ1-PL03 at $T_j=85^\circ\text{C}$.

Radiation Patterns

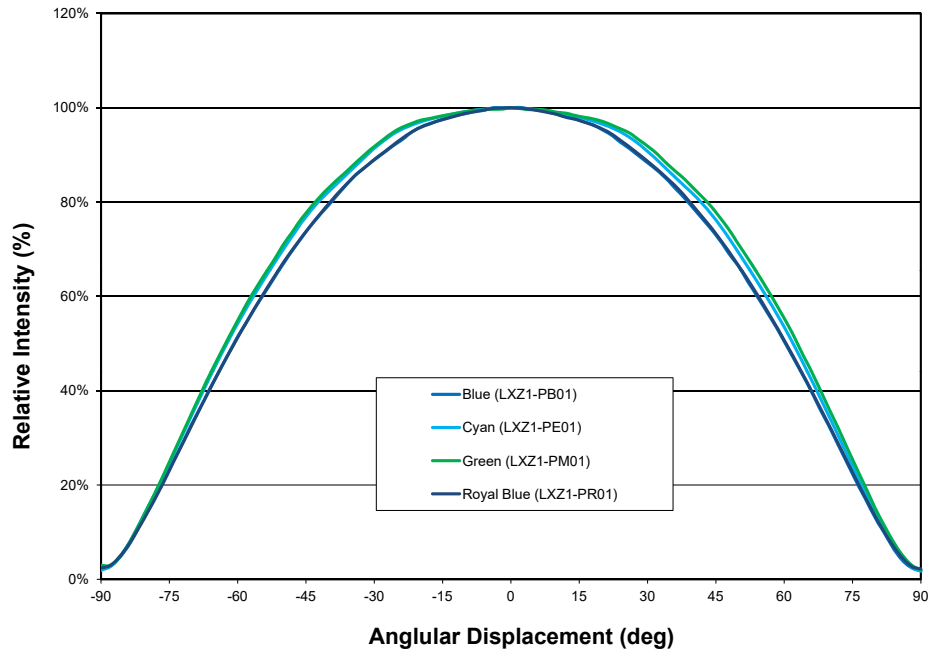


Figure 5a: Typical radiation pattern for LUXEON Z LXZ1-PR01, LXZ1-PB01, LXZ1-PE01 and LXZ1-PM01 at 500mA, $T_j=25^{\circ}\text{C}$.

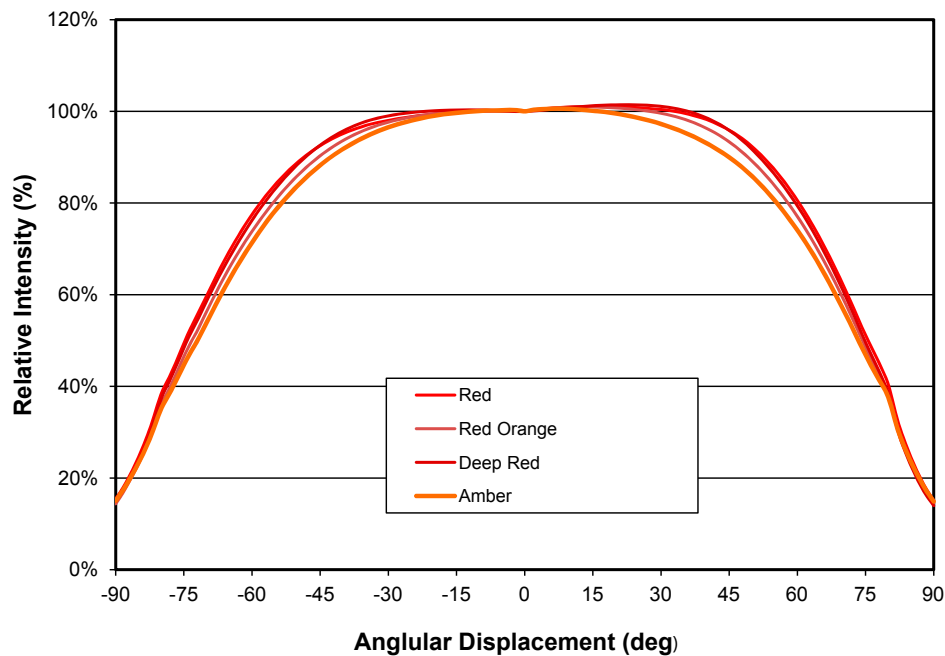


Figure 5b: Typical radiation pattern for LUXEON Z LXZ1-PL01, LXZ1-PA01, LXZ1-PD01, LXZ1-PH01, LXZ1-PL03, LXZ1-PH02 and LXZ1-PD02 at 500mA, $T_j=25^{\circ}\text{C}$.

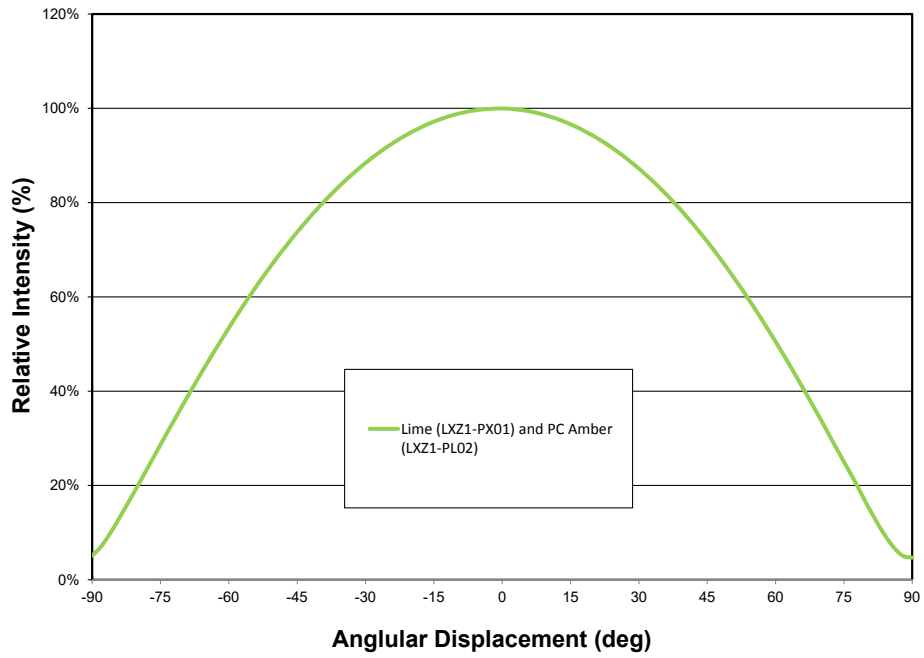


Figure 5c: Typical radiation pattern for LUXEON Z LXZ1-PX01 and LXZ1-PL02 at 500mA, $T_j=85^{\circ}\text{C}$.

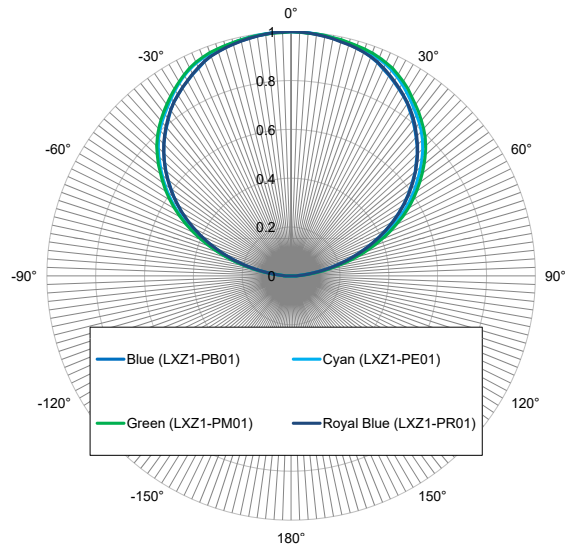


Figure 6a: Typical polar radiation pattern for LUXEON Z LXZ1-PR01, LXZ1-PB01, LXZ1-PE01 and LXZ1-PM01 at 500mA, $T_j=25^{\circ}\text{C}$.

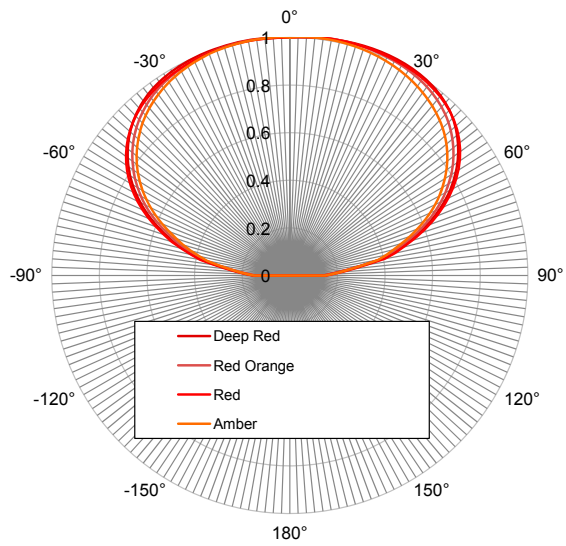


Figure 6b: Typical polar radiation pattern for LUXEON Z LXZ1-PL01, LXZ1-PA01, LXZ1-PD01 and LXZ1-PH01, LXZ1-PL03, LXZ1-PH02 and LXZ1-PD02 at 500mA, $T_j=25^\circ\text{C}$.

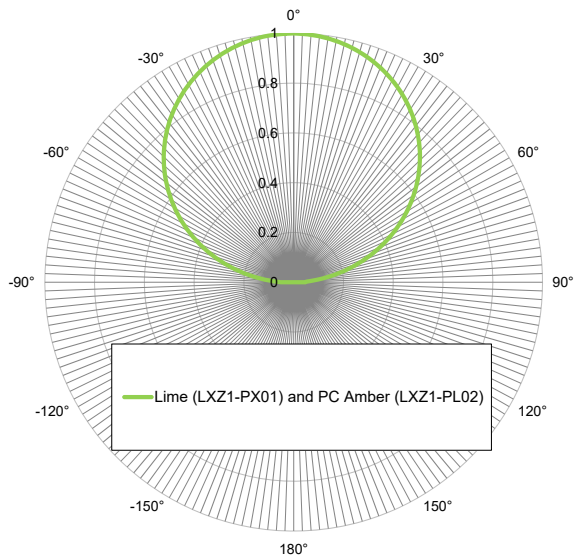


Figure 6c: Typical polar radiation pattern for LUXEON Z LLXZ1-PX01 and LXZ1-PL02 at 500mA, $T_j=85^\circ\text{C}$.

Product Bin and Labeling Definitions

Decoding Product Bin Labeling

In the manufacturing of semiconductor products, there are variations in performance around the average values given in the technical datasheet. For this reason, Lumileds bins LED components for luminous flux or radiometric power, color point, peak wavelength, dominant wavelength and forward voltage.

Reels of LUXEON Z Deep Red, Red, Red-Orange, Amber, Lime, Green, Cyan, Blue and Royal Blue are labeled using a 3-digit alphanumeric CAT code following the format below.

A B C

- A** – designates luminous flux or radiometric power bins (example: K=96 to 104 lumens, V=194 to 204 lumens)
- B** – designates peak or dominant wavelength bin (example: Green 2=525 to 530nm, Cyan 7=495 to 500nm, Blue 4=475 to 480nm)
- C** – designates forward voltage bin (example: 2=2.50 to 2.75V, 6=3.00 to 3.25V)

Therefore, a LUXEON Z Green LED with a lumen range of 96 to 104, a dominant wavelength of 525 to 530nm and a forward voltage range of 2.50 to 2.75V has the following CAT code:

K 2 4

Reels of LUXEON Z PC Amber are labeled using a 4-digit alphanumeric CAT code following the format below.

A B C D

- A** – designates luminous flux bin (example: K=96 to 104 lumens, L=104 to 114 lumens)
- B C** – designates peak wavelength bin (example: A1)
- D** – designates forward voltage bin (example: 3=2.25 to 2.50V, 5=2.75 to 3.00V)

Therefore, a LUXEON Z PC Amber LED with a lumen range of 104 to 114, color bin of A1 and a forward voltage range of 2.75 to 3.00V has the following CAT code:

L A 1 5

Luminous Flux Bins

Table 5a and Table 5b list the standard luminous flux bins for LUXEON Z Colors emitters. Although several bins are outlined, product availability in a particular bin varies by production run and by product performance. Not all bins are available in all CCTs.

Table 5a. Luminous flux bin definitions for LUXEON Z Red (LXZ1-PD02), Red-Orange (LXZ1-PH02) and Amber (LXZ1-PL03).

| BIN | LUMINOUS FLUX ^[1,2] (lm) | |
|-----|-------------------------------------|---------|
| | MINIMUM | MAXIMUM |
| A | 16 | 24 |
| B | 24 | 32 |
| C | 32 | 40 |
| D | 40 | 48 |
| E | 48 | 56 |
| F | 56 | 64 |
| G | 64 | 72 |

Notes for Table 5a:

1. Lumileds maintains a tolerance of $\pm 6.5\%$ on luminous flux measurements.
2. Tested and binned at junction temperature of 85°C.

Table 5b. Luminous flux bin definitions for LUXEON Z Red (LXZ1-PD01), Red-Orange (LXZ1-PH01), Amber (LXZ1-PL01), PC Amber (LXZ1-PL02), Lime (LXZ1-PX01), Green (LXZ1-PM01), Cyan (LXZ1-PE01), and Blue (LXZ1-PB01).

| BIN | LUMINOUS FLUX ^[1,2] (lm) | |
|-----|-------------------------------------|---------|
| | MINIMUM | MAXIMUM |
| A | 24 | 32 |
| B | 32 | 40 |
| C | 40 | 48 |
| D | 48 | 56 |
| E | 56 | 64 |
| F | 64 | 72 |
| G | 72 | 80 |
| H | 80 | 88 |
| J | 88 | 96 |
| K | 96 | 104 |
| L | 104 | 114 |
| M | 114 | 124 |
| N | 124 | 134 |
| P | 134 | 144 |
| Q | 144 | 154 |
| R | 154 | 164 |
| S | 164 | 174 |
| T | 174 | 184 |
| U | 184 | 194 |
| V | 194 | 204 |

Notes for Table 5b:

1. Lumileds maintains a tolerance of $\pm 6.5\%$ on luminous flux measurements.
2. Tested and binned at junction temperature of 25°C.

Radiometric Power Bins

Table 6. Radiometric power bins for LUXEON Z Deep Red (LXZ1-PA01) and Royal Blue (LXZ1-PR01).

| BIN | RADIOMETRIC POWER ^[1] (mW) | |
|-----|---------------------------------------|---------|
| | MINIMUM | MAXIMUM |
| A | 250 | 300 |
| B | 300 | 350 |
| C | 350 | 400 |
| D | 400 | 450 |
| E | 450 | 500 |
| F | 500 | 550 |
| G | 550 | 600 |
| H | 600 | 650 |
| J | 650 | 700 |

Notes for Table 6:

1. Lumileds maintains a tolerance of $\pm 6.5\%$ on radiometric power measurements.

Dominant and Peak Wavelength Bins

Table 7. Dominant wavelength bin definitions for LUXEON Z Colors.

| COLOR | PART NUMBER | BIN | DOMINANT WAVELENGTH ^[1] (nm) | |
|------------|-------------|-----|---|---------|
| | | | MINIMUM | MAXIMUM |
| Red | LXZ1-PD02 | 4 | 624 | 634 |
| | LXZ1-PD01 | 4 | 620 | 630 |
| Red-Orange | LXZ1-PH02 | 2 | 614 | 624 |
| | LXZ1-PH01 | 2 | 610 | 620 |
| Amber | LXZ1-PL03 | 2 | 594 | 599 |
| | | 4 | 599 | 604 |
| PC Amber | LXZ1-PL01 | 1 | 585 | 587 |
| | | 2 | 587 | 590 |
| | | 4 | 590 | 592 |
| | | 6 | 592 | 595 |
| Green | LXZ1-PM01 | 1 | 520 | 525 |
| | | 2 | 525 | 530 |
| | | 3 | 530 | 535 |
| | | 4 | 535 | 540 |
| Cyan | LXZ1-PE01 | 1 | 490 | 498 |
| | | 2 | 498 | 508 |
| | | 6 | 490 | 495 |
| | | 7 | 495 | 500 |
| | | 8 | 500 | 505 |
| | | 9 | 505 | 510 |
| Blue | LXZ1-PB01 | 1 | 460 | 465 |
| | | 2 | 465 | 470 |
| | | 3 | 470 | 475 |
| | | 4 | 475 | 480 |
| | | 5 | 480 | 485 |

Notes for Table 7:

1. Lumileds maintains a tolerance of $\pm 0.5\text{nm}$ for dominant wavelength measurements.

Table 8. Peak wavelength bin definitions for LUXEON Z Deep Red and Royal Blue.

| COLOR | PART NUMBER | BIN | PEAK WAVELENGTH ^[1] (nm) | |
|------------|-------------|-----|-------------------------------------|---------|
| | | | MINIMUM | MAXIMUM |
| Deep Red | LXZ1-PA01 | 6 | 650 | 660 |
| | | 7 | 660 | 670 |
| Royal Blue | LXZ1-PR01 | 3 | 440 | 445 |
| | | 4 | 445 | 450 |
| | | 5 | 450 | 455 |
| | | 6 | 455 | 460 |

Notes for Table 8:

1. Lumileds maintains a tolerance of $\pm 2\text{nm}$ for peak wavelength measurements.

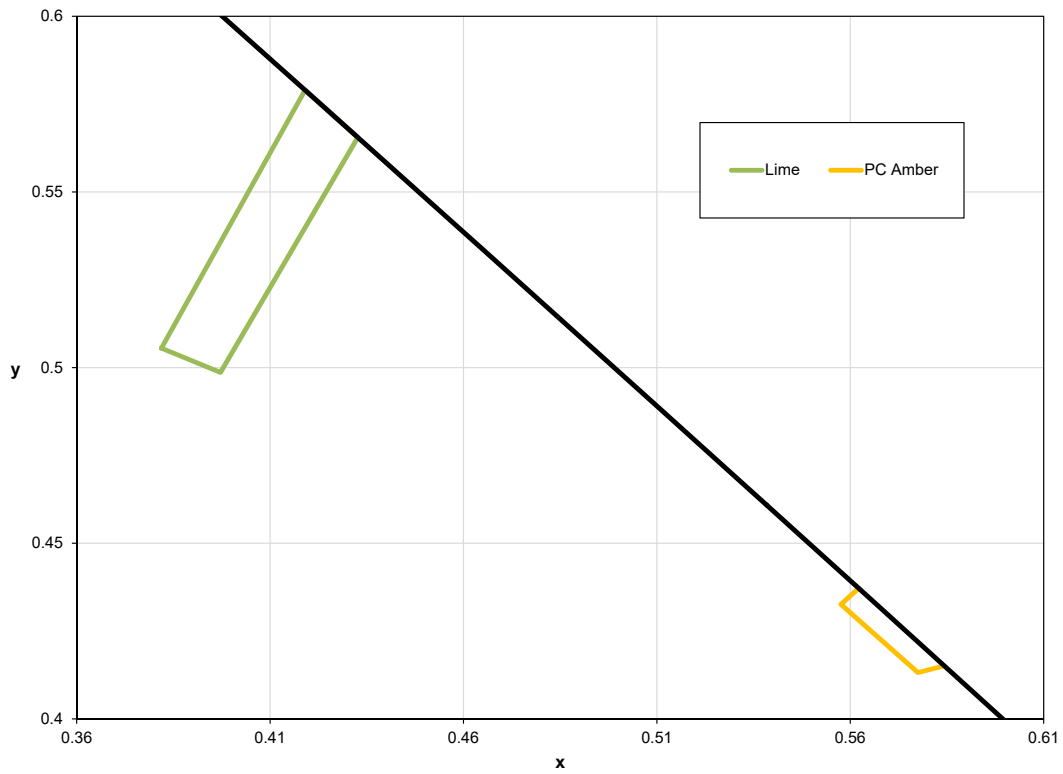


Figure 7: Color bin structure for LXZ1-PX01 and LXZ1-PL02 for Table 9.

Table 9. Color bin definitions for LUXEON Z PC Amber and Lime.

| COLOR | PART NUMBER | BIN | x | y |
|----------|-------------|-----|--------|--------|
| PC Amber | LXZ1-P7L02 | A1 | 0.5622 | 0.4372 |
| | | | 0.5576 | 0.4326 |
| | | | 0.5775 | 0.4132 |
| | | | 0.5843 | 0.4151 |
| Lime | LXZ1-PX01 | 1 | 0.3819 | 0.5055 |
| | | | 0.4191 | 0.5790 |
| | | | 0.4327 | 0.5655 |
| | | | 0.3972 | 0.4986 |

Notes for Table 9:

1. Lumileds maintains a tolerance of ± 0.005 on x and y color coordinates measurements.

Forward Voltage Bins

Table 10. Forward voltage bin definitions for LUXEON Z Color Line.

| BIN | FORWARD VOLTAGE ⁽¹⁾ (V _f) | |
|-----|--|---------|
| | MINIMUM | MAXIMUM |
| 1 | 1.75 | 2.00 |
| 2 | 2.00 | 2.25 |
| 3 | 2.25 | 2.50 |
| 4 | 2.50 | 2.75 |
| 5 | 2.75 | 3.00 |
| 6 | 3.00 | 3.25 |
| 7 | 3.25 | 3.50 |

Notes for Table 10:

1. Lumileds maintains a tolerance of $\pm 0.06V$ on forward voltage measurements.

Mechanical Dimensions

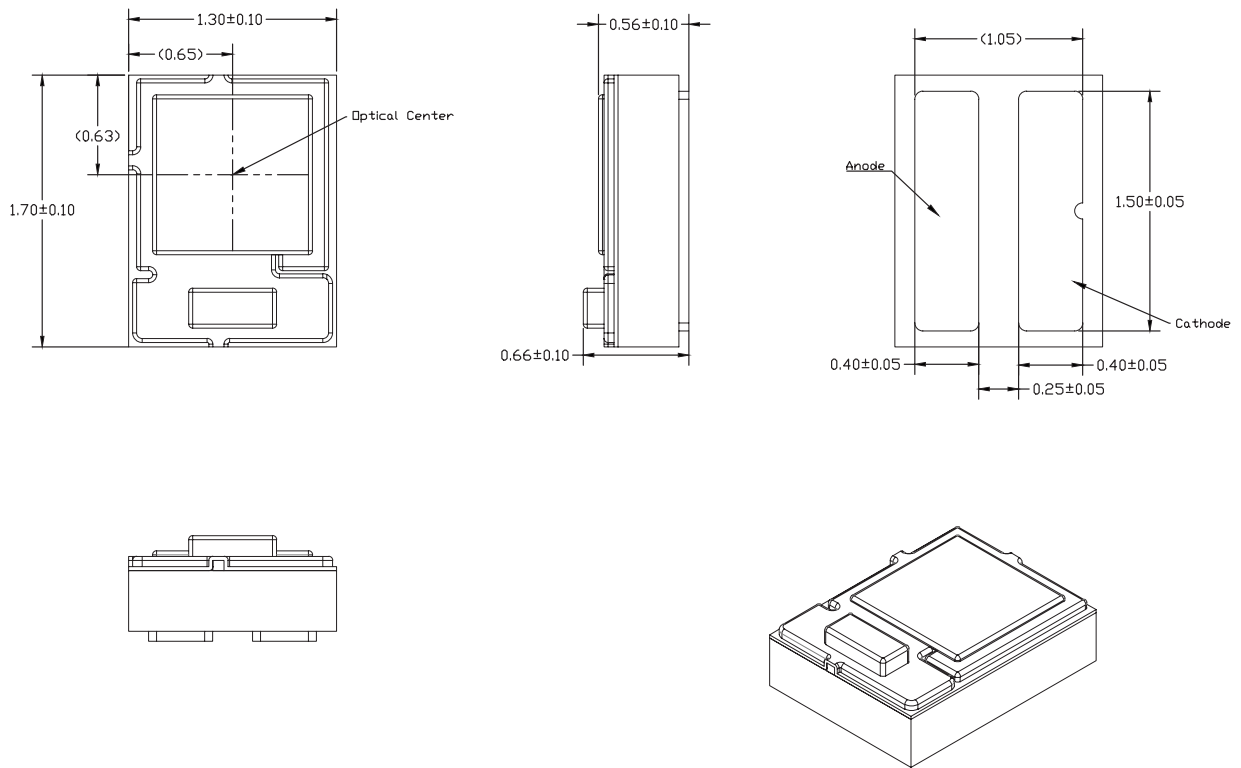


Figure 8: Mechanical dimensions for LUXEON Z Green, Cyan, Blue and Royal Blue.

Notes for Figure 8:

1. Drawings are not to scale.
2. All dimensions are in millimeters.

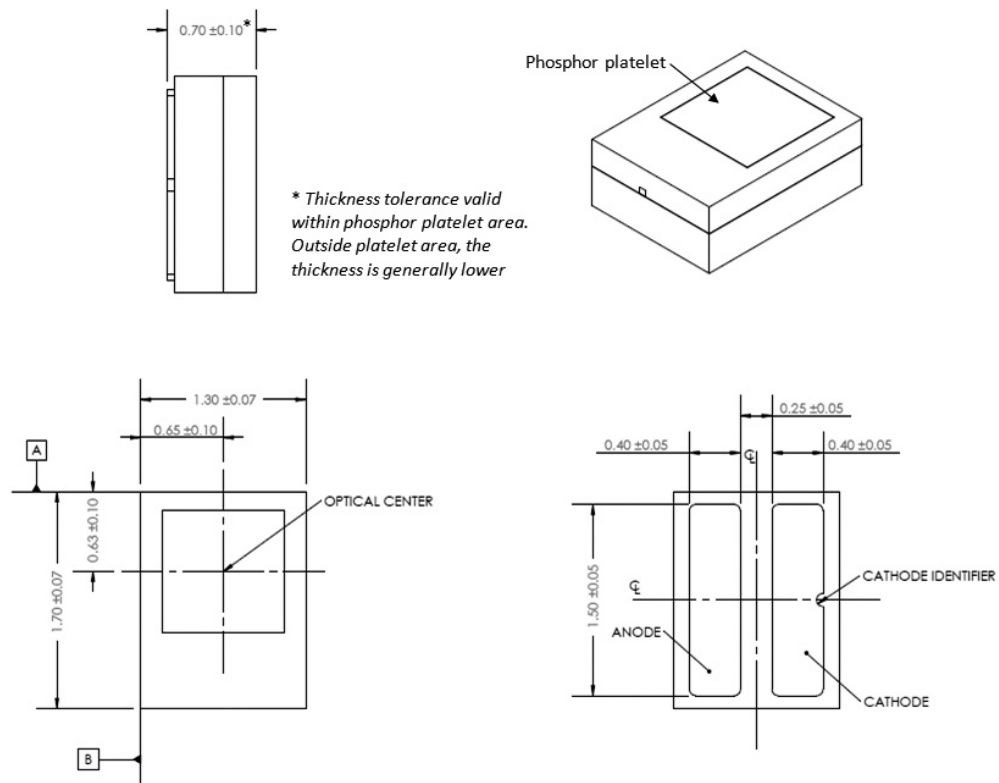


Figure 9: Mechanical dimensions for LUXEON Z PC Amber and Lime.

Notes for Figure 9:

1. Drawings are not to scale.
2. All dimensions are in millimeters.

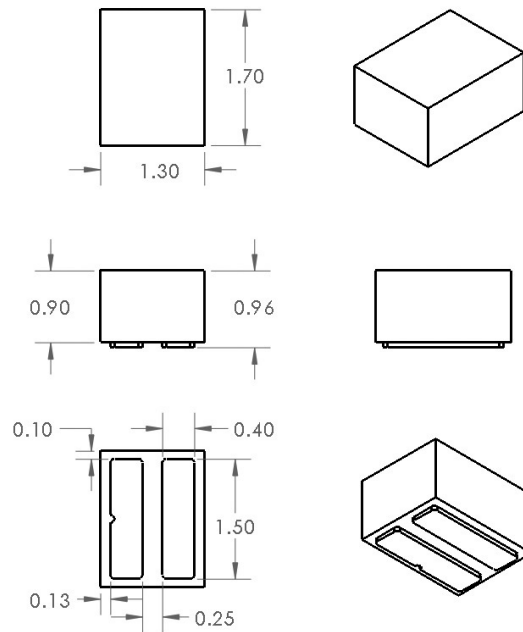


Figure 10: Mechanical dimensions for LUXEON Z Deep Red, Red, Red-Orange and Amber.

Notes for Figure 10:

1. Drawings are not to scale.
2. All dimensions are in millimeters.

Reflow Soldering Guidelines

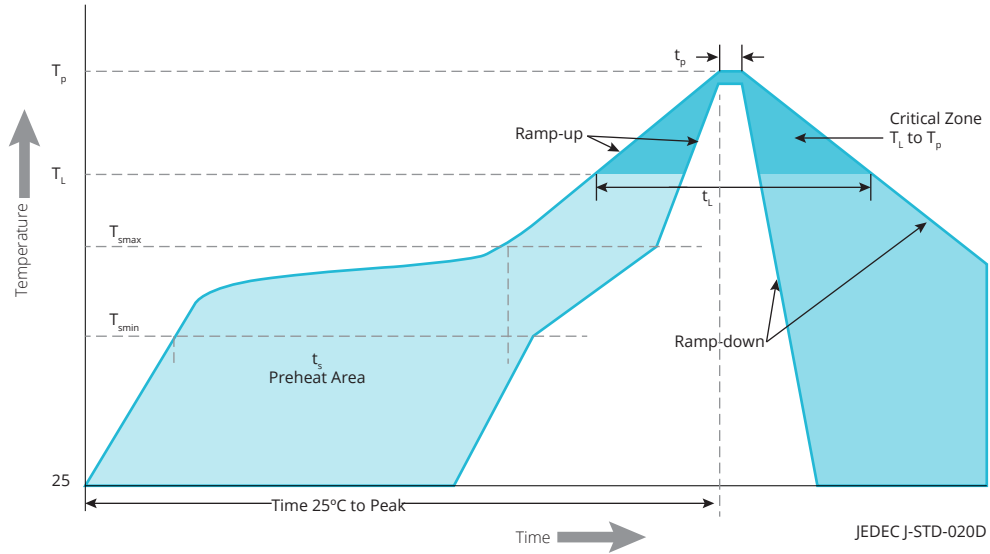


Figure 11: Visualization of the acceptable reflow temperature profile as specified in Table 11.

Table 11. Reflow profile characteristics for LUXEON Z Colors.

| PROFILE FEATURE | LEAD FREE ASSEMBLY |
|---|----------------------|
| Preheat Minimum Temperature (T_{smin}) | 150°C |
| Preheat Maximum Temperature (T_{smax}) | 200°C |
| Preheat Time (t_{smin} to t_{smax}) | 60 to 180 seconds |
| Ramp-Up Rate (T_L to T_p) | 3°C / second maximum |
| Liquidus Temperature (T_L) | 217°C |
| Time Maintained Above Temperature T_L (t_L) | 60 to 150 seconds |
| Peak / Classification Temperature (T_p) | 260°C |
| Time Within 5°C of Actual Temperature (t_p) | 20 to 40 seconds |
| Ramp-Down Rate (T_p to T_L) | 6°C / second maximum |
| Time 25°C to Peak Temperature | 8 minutes maximum |

JEDEC Moisture Sensitivity

Table 12. Moisture sensitivity levels for LUXEON Z Colors.

| LEVEL | FLOOR LIFE | | SOAK REQUIREMENTS STANDARD | |
|-------|------------|----------------|----------------------------|---------------|
| | TIME | CONDITIONS | TIME | CONDITIONS |
| 1 | Unlimited | ≤30°C / 85% RH | 168 Hours +5 / -0 | 85°C / 85% RH |

Solder Pad Design

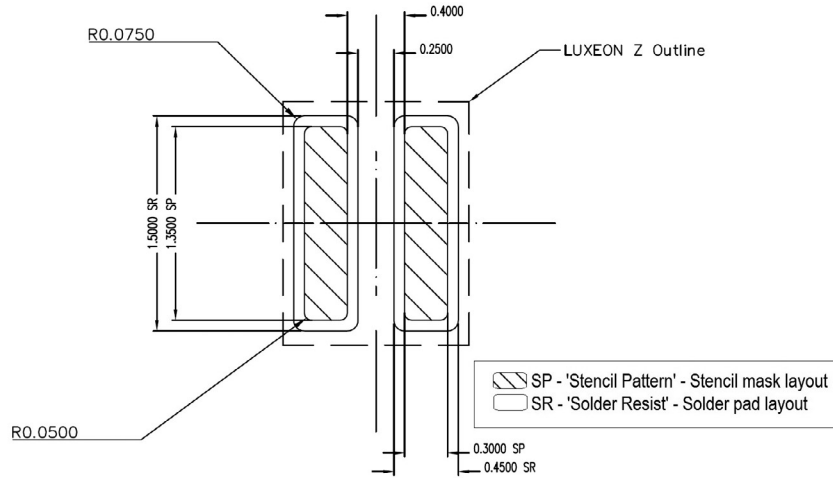


Figure 12: Recommended PCB solder pad layout for LUXEON Z Colors.

Notes for Figure 12:

1. Drawings are not to scale.
2. All dimensions are in millimeters.

Packaging Information

Pocket Tape Dimensions

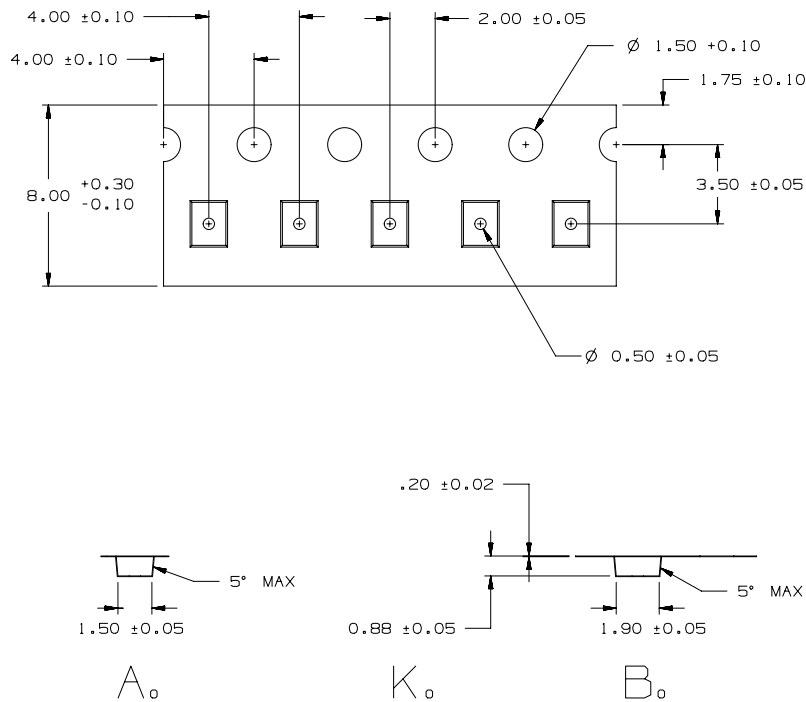


Figure 13: Pocket tape dimensions for LUXEON Z Blue, Green, Royal Blue, Cyan, Lime and PC Amber.

Notes for Figure 13:

1. Drawings are not to scale.
2. All dimensions are in millimeters.

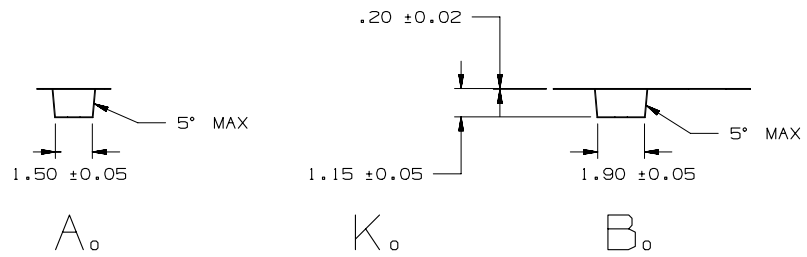
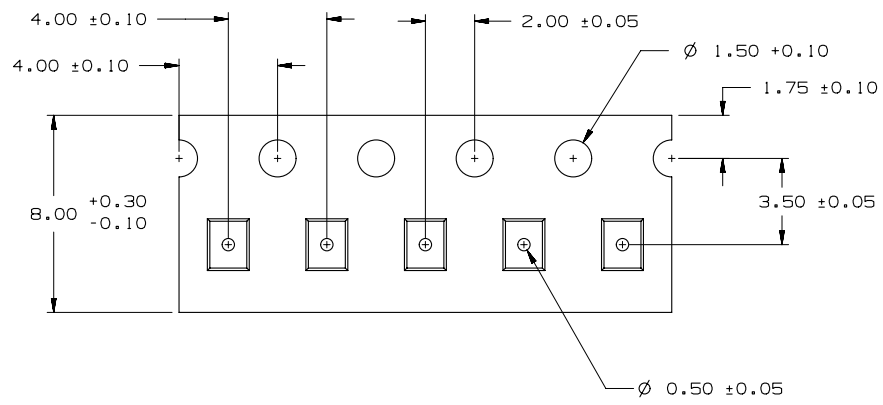


Figure 14: Pocket tape dimensions for LUXEON Z Red, Red-Orange, Amber and Deep Red.

Notes for Figure 14:

1. Drawings are not to scale.
2. All dimensions are in millimeters.

Reel Dimensions

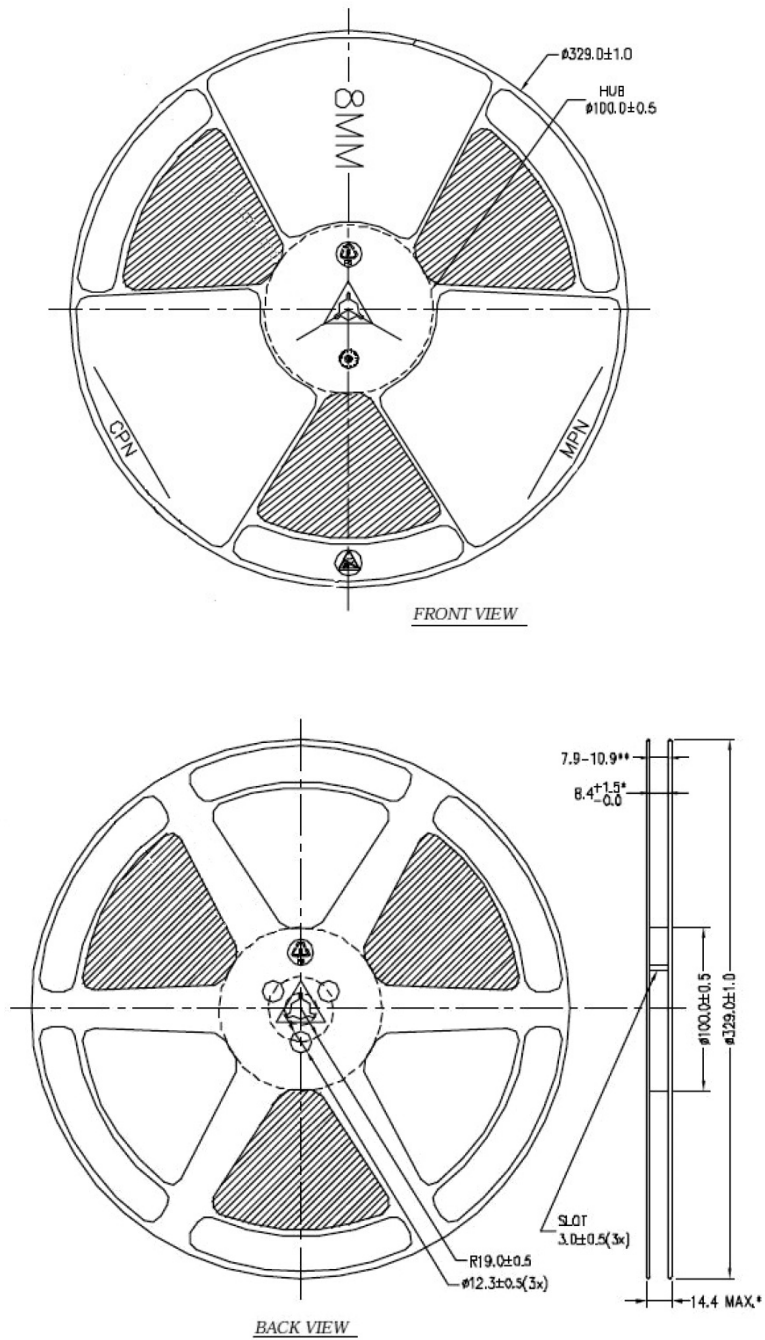


Figure 15: Reel dimensions for LUXEON Z Colors.

Notes for Figure 15:

1. Drawings are not to scale.
2. All dimensions are in millimeters.

About Lumileds

Lumileds is the global leader in light engine technology. The company develops, manufactures and distributes groundbreaking LEDs and automotive lighting products that shatter the status quo and help customers gain and maintain a competitive edge.

With a rich history of industry “firsts,” Lumileds is uniquely positioned to deliver lighting advancements well into the future by maintaining an unwavering focus on quality, innovation and reliability.

To learn more about our portfolio of light engines, visit lumileds.com.



©2017 Lumileds Holding B.V. All rights reserved.
LUXEON is a registered trademark of the Lumileds Holding B.V.
in the United States and other countries.

lumileds.com

Neither Lumileds Holding B.V. nor its affiliates shall be liable for any kind of loss of data or any other damages, direct, indirect or consequential, resulting from the use of the provided information and data. Although Lumileds Holding B.V. and/or its affiliates have attempted to provide the most accurate information and data, the materials and services information and data are provided “as is,” and neither Lumileds Holding B.V. nor its affiliates warrants or guarantees the contents and correctness of the provided information and data. Lumileds Holding B.V. and its affiliates reserve the right to make changes without notice. You as user agree to this disclaimer and user agreement with the download or use of the provided materials, information and data.